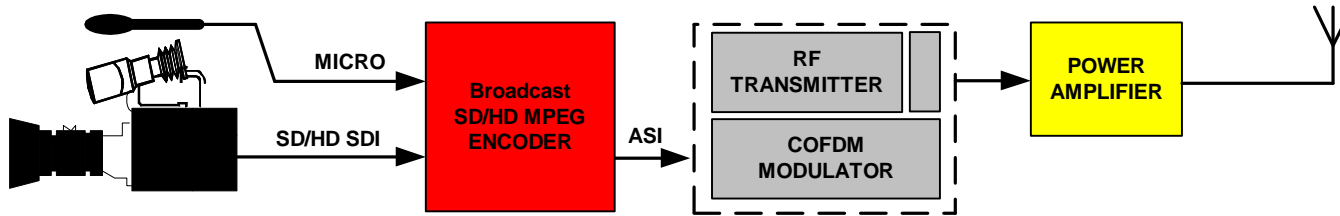


MOBILE TRANSMITTING UNIT

Special COFDM Modulator is used to provide the needed robustness for the up-link transmission. This modulation uses a 8 MHz canal and offers high robustness in mobile operation, specially no freeze when the mobile transmitting unit operates under trees.

Any existing Broadcast SD/HD MPEG-2 or MPRG-4 Encoder with a standardized ASI output can be used.

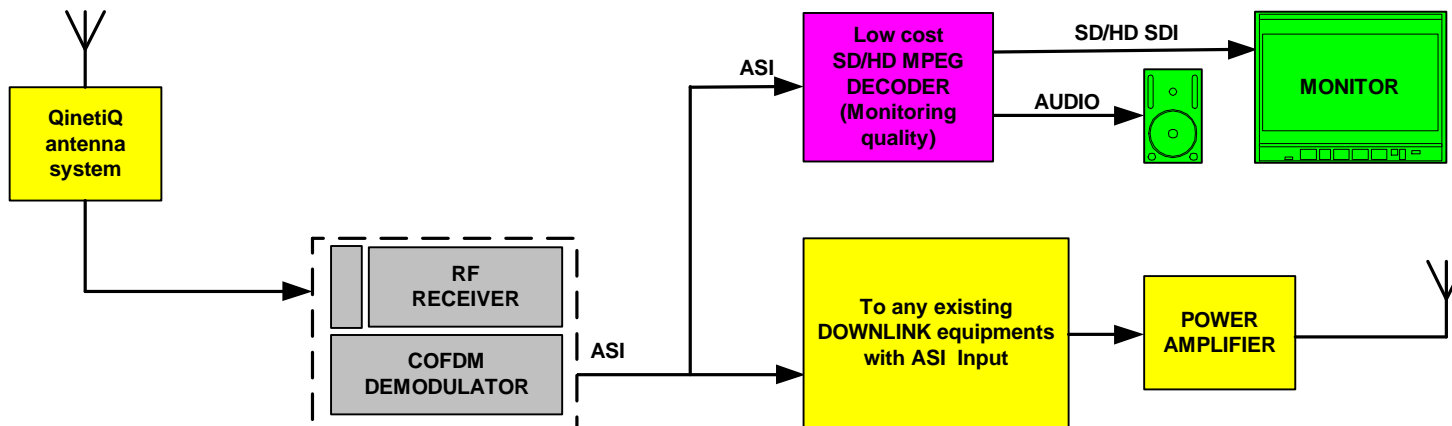


PC-12 RELAY UNIT (version I)

Special COFDM Demodulator is used to provide the needed robustness for the up-link transmission.

Any existing Low-cost SD/HD MPEG-2 or MPRG-4 Decoder with a standardized ASI input can be used for the monitoring.

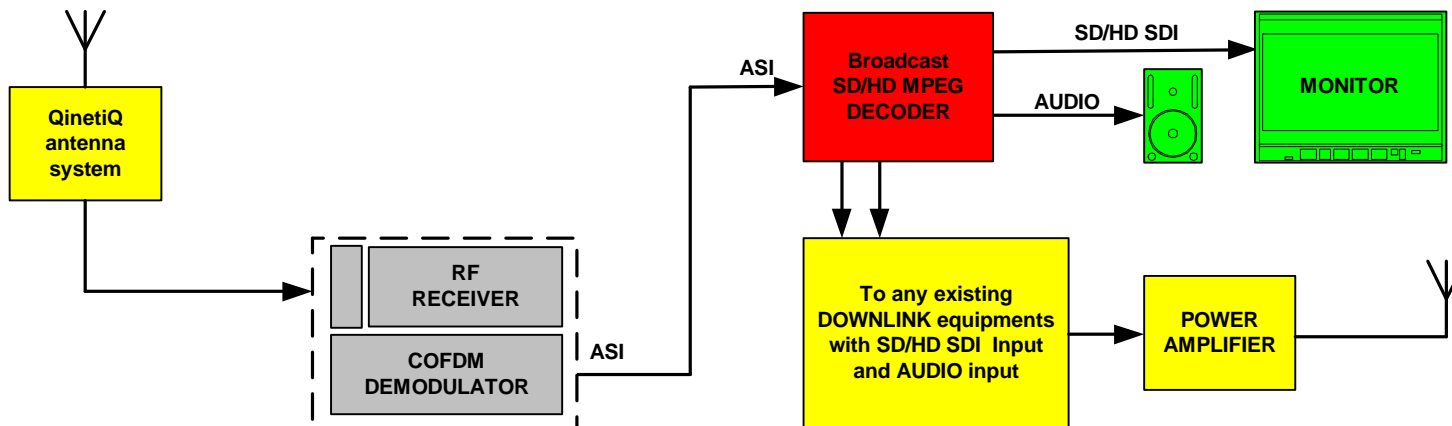
Our module is ASI compatible with any existing DOWNLINK equipments.



PC-12 RELAY UNIT (version II)

Special COFDM Demodulator is used to provide the needed robustness for the up-link transmission.

Any existing Broadcast SD/HD MPEG-2 or MPRG-4 Decoder with a standardized ASI input can be used to generate SD/HD SDI and/or analogue signals and AUDIO signals to drive any existing DOWNLINK equipments with AUDIO/VIDEO Inputs.



PC-12 RELAY UNIT (version III)

Special COFDM Demodulator / Modulator are used to provide the needed robustness for the up-link / down -link transmissions. This set-up is the most performant and the more interesting in term of cost.

In the PC-12 receiving station, a special COFDM Demodulator is used to drive any existing Broadcast SD/HD MPEG-2 or MPRG-4 Decoder with a standardized ASI input .

Any existing Low-cost SD/HD MPEG-2 or MPRG-4 Decoder with a standardized ASI input can be used for the monitoring.

